



**BUREAU
VERITAS**

SAMPLING INSTRUCTIONS

NON-PRESSURIZED LINE SAMPLING

FLUID CONDITION MONITORING

Drain-line sampling provides insights into the condition and overall health of components in operation. This form of sampling is an effective practice to assess equipment and lubricant condition, improve equipment reliability, and minimize the risks of unplanned downtime. Figure 1.1 represents the sample point of the primary return line.

SAMPLING MATERIALS REQUIRED

- (1) Clean sampling container
- (1) Container for the collection of flushing fluid
- (1) Ball valve positioned on the machine's drain line point
- (1) Bottle label / Sample form

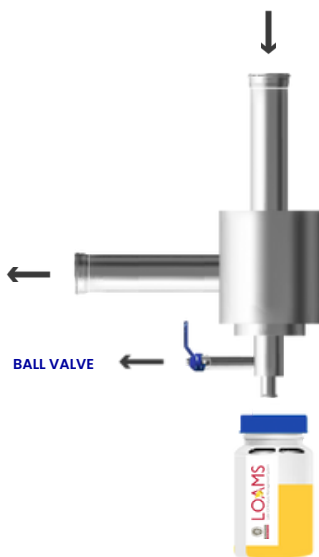


Figure 1.1 - representation of the sample point of the primary return line.

SAMPLING INSTRUCTIONS

STEP 1: In order to obtain oil samples representative of actual machine and lubricant operating conditions, samples should be taken at regularly scheduled intervals under normal operating conditions or within 30 minutes of shutdown. This allows for both accurate trend analysis and the proper evaluation of any change in lubricant and component condition as wear particles and contaminants will remain thoroughly mixed and suspended in the oil sample.

STEP 2: Using the sample documentation, please take the time to notate if the sample was not drawn at regularly scheduled intervals or within 30 minutes of shutdown.

STEP 3: Ensure the lube indicator is at the required level prior to sampling.

STEP 4: Ensure that lubrication starvation is avoided by observing the lube level indicator at the moment of drawing the sample.

STEP 5: Remove the dust cap from the sample valve. **STEP**

6: Flush the valve with a volume of approximately 5 to 10 times the unfilled volume space visible in the stem into disposal bottle.

SAMPLING INSTRUCTIONS



STEP 7: Remove the lid from the sample bottle in a manner that does not touch the inner side of the lid or the interior of the bottle. Please remove the lid only when the sample bottle is ready to be filled by the sample drawn.

STEP 8: Verify that the sample valve is tightly secured to ensure a leak free seal is created.

STEP 9: Dispose the flushing fluid properly. Never reintroduce it back into the machine.

STEP 10: Complete the sample form and sample label information. Please report if the sample was drawn in cold, describe atypical conditions, include equipment ID numbers and indicate supply test point locations.

STEP 11: Remove the barcode label from your sample information form and adhere it to the the sample bottle.

STEP 12: Pack your sample jar(s) into the proper sized box, plastic envelope, or hard plastic mailer. Apply the shipping label to your package and ensure that your return address and the laboratory address are written legibly. Ship your samples!

STEP 13: Review sample results immediately, implement corrective actions, and review maintenance recommendations without delay. Sample reports and real-time oil analysis data can be accessed by downloading the LOAMS Mobile App or by visiting www.analystsinline.net on your desktop computer.

North America

United States	Houston	+1 800-655-4473
	Chicago	
	Atlanta	
Canada	Edmonton	+1 780-378-8500
Mexico	Monterrey	+52 81 8335-7560

YOUR OIL ANALYSIS SUPPORT TEAM

Supporting you on how to manage an effective oil analysis program is our priority — and we are here to help you every step of the way.

Our Bureau Veritas oil analysis laboratories offer all the sampling supplies required to collect oil samples including:

- Sample Jars & Containers
- Vacuum Pumps & Tubing
- Sample Ports
- Pre-Paid Return Mailers
- Bar Code Scanners

Contact us to learn more about the sampling supplies we offer and how we can help improve your analysis program.
800-655-4473 / customerservice@us.bureauveritas.com

Global Network

Australia	+61 (0) 8 8416-5237
Greece	+30 214 1006800
China	+86 181 1600-8062
Netherlands	+31 10 472 04 22
Spain	+34 943 25 69 35
South Africa	+27(0) 61-091-1981
Saudi Arabia	+966-13-361-7960
Singapore	+65 627 52 776